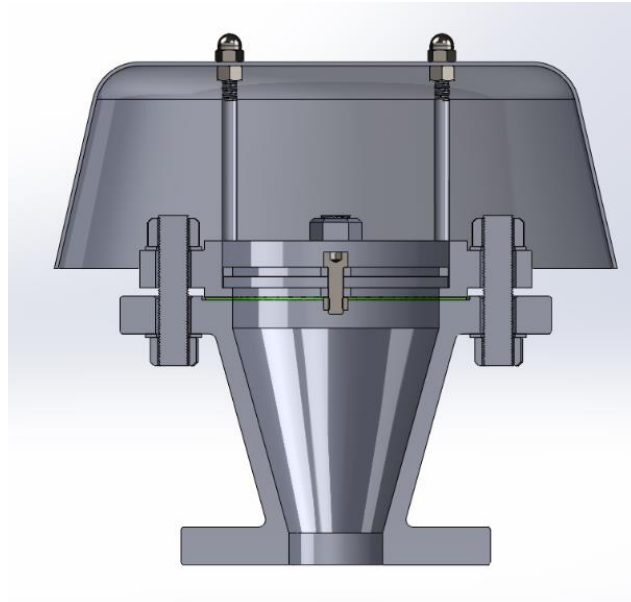
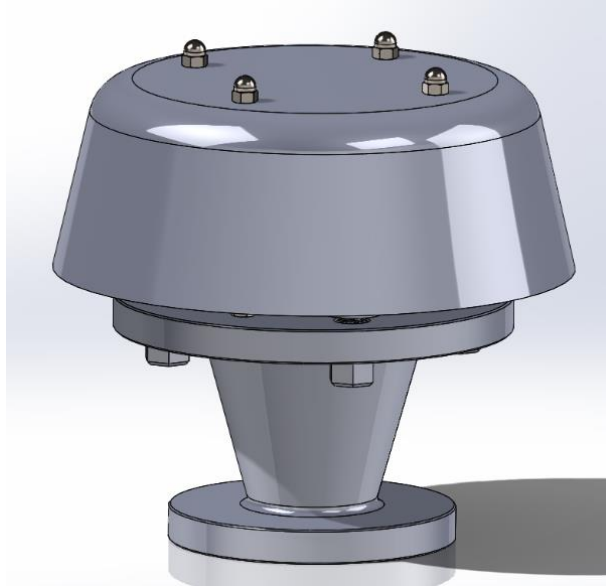




DATASHEET

END OF LINE range of deflagration flame arresters



APPLICATION

These end of line units are designed to be used as a venting device for installation at the end of a pipeline or exit vent on a vessel. They allow for an unrestricted flow of gases into the atmosphere and clean air into the tank/pipe therefore preventing possible vacuum conditions whilst ensuring protection to the vessel from any possible atmospheric deflagration.

PRINCIPLE OF OPERATION

An 'end of line' unit is designed to prevent an unconfined deflagration in the surrounding atmosphere from entering the pipe or system and is not suitable for preventing a flame from within the pipe or system igniting the surrounding area.

ADVANTAGES

- Suitable for pipe sizes from 2" up to 12"
- Available for application in gas groups IIA, IIA1, IIB1, IIB2, IIB3
- Compliant with the European **ATEX** directive 2014/34/EU and United Kingdom's UKCA Directive UKSI 2016:1107
- Removable / Replaceable element for easier & cost-effective maintenance
- Tested in accordance with EN ISO 16852:2016
- Sintered mesh flame quenching element for improved deflagration stopping and air flow performance

APPLICATION CONSIDERATIONS

- Flare stacks
- Compressors
- Flammable liquid storage tank vents
- Waste treatment plants
- Gas pressure regulators
- Not applicable for endurance burning situations
- Maximum Operational Temperature (T_o) – 60 °C
- Process Connection drilled to any client specification.
- Vertical Mounted

PRODUCT SUPPORT

We aim to provide a rapid response to both technical and commercial enquiries. We are committed to offer competitive pricing and short production lead times and pride ourselves on delivery reliability.

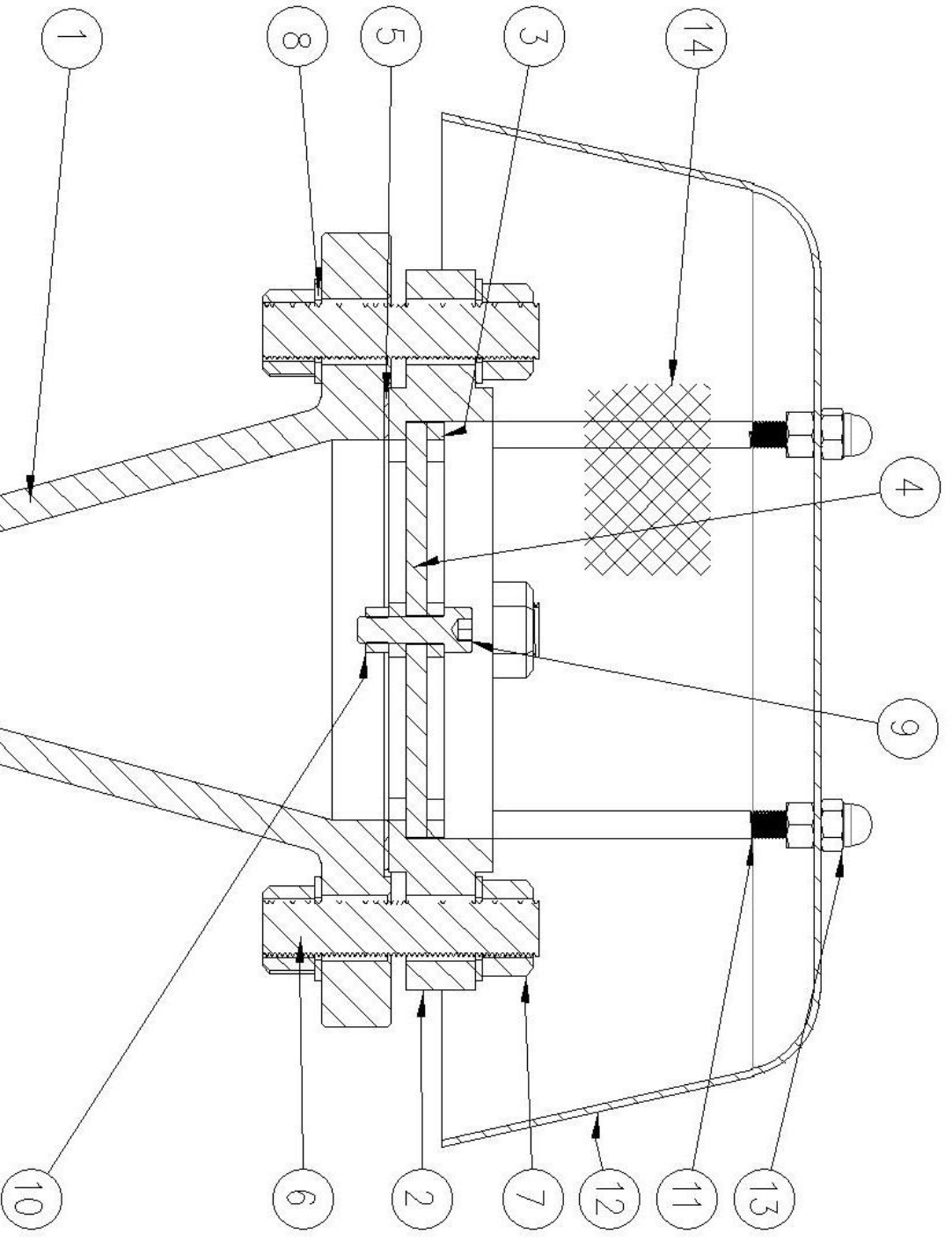
Reference	Quantity	Description	Stainless Steel Model	Carbon Steel Model	Aluminium Model		
1	2	Body	St. Steel	C.Steel	Aluminium		
2	1	Element Housing	St. Steel	St. Steel	St. Steel		
3	1	Element Retaining Rings	St. Steel	St. Steel	St. Steel		
4	1	Element Mesh	St. Steel	St. Steel	St. Steel		
5	1	Element Gasket	AFM	AFM	AFM		
6	4	Studded Bolt	St. Steel	St. Steel	St. Steel		
7	8	Full Nut	St. Steel	St. Steel	St. Steel		
8	8	Washer	St. Steel	St. Steel	St. Steel		
9	1	M8 Cap head	St. Steel	St. Steel	St. Steel		
10	1	M8 Full Nut	St. Steel	St. Steel	St. Steel		
11	4	Hood Posts	St. Steel	St. Steel	St. Steel		
12	1	Hood	St. Steel	C.Steel	Aluminium		
13	4	M8 Dome Nut	St. Steel	St. Steel	St. Steel		
14	1	Screen Mesh	St. Steel	St. Steel	St. Steel		
Size (Inches) (mm)	2 (50)	3 (80)	4 (100)	6 (150)	8 (200)	10 (250)	12 (300)
Height	270mm	290mm	350mm	510mm	600mm	700mm	780mm
Width	305mm	378mm	378mm	600mm	680mm	780mm	900mm
Element Diameter	120mm	175mm	230mm	340mm	450mm	560mm	660mm
Element Thickness	6mm	6mm	6mm	6mm	6mm	6mm	6mm

Motherwell Tank Protection

St Michaels Road
Lea Green Ind Est
St Helens
Merseyside
England WA9 4WZ
Tel : + 44 1744 815211
Fax : +44 1744 814497
sales@mtpuk.com
www.motherwelltankprotection.com



FM 534821



PARTS LIST

ITEM	DESCRIPTION	MATERIAL
1	BODY	ST. STEEL
2	ELEMENT HOUSING	ST. STEEL
3	ELEMENT RETAINING RING	ST. STEEL
4	ELEMENT MESH	ST. STEEL
5	HOUSING GASKET	AFM
6	M16 STUDDED BAR	ST. STEEL
7	M16 FULLNUT	ST. STEEL
8	M16 WASHER	ST. STEEL
9	M8 CAPHEAD SCREW	ST. STEEL
10	M8 FULLNUT	ST. STEEL
11	HOOD POST	ST. STEEL
12	WEATHER HOOD	ST. STEEL
13	M8 DOME NUT	ST. STEEL
14	SCREEN MESH	ST. STEEL

Flame Arrester Dimensions		
N.B	Height	Width
2"	290mm	300mm
3"	340mm	380mm
4"	400mm	445mm
6"	570mm	600mm
8"	660mm	680mm
10"	750mm	780mm
12"	830mm	900mm

INLET FLANGE:- To Client Spec

REV	DESCRIPTION	DD	BY	DATE
001	First Issue			06/21

End Of Line Series Deflagration Flame Arrester

Drawn DD Date 05/21

Motherwell Tank Protection - St. Helens, Merseyside, U.K.



TITLE	End Of Line Series Deflagration Flame Arrester		
Dwg No	CNC540		
SHEET	1	OF	1