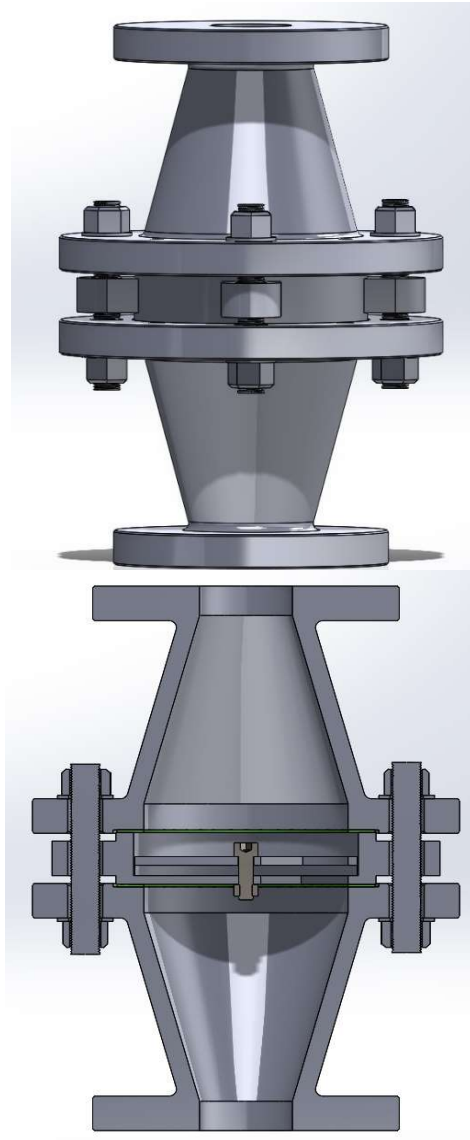




DATASHEET

Vent Combination range of deflagration flame arresters



APPLICATION

These Vent Combination units are designed to be used in conjunction with a PVRV unit and installed at the end of a pipeline or exit vent on a vessel. They allow for an unrestricted flow of gases into the atmosphere and clean air into the tank/pipe therefore preventing any possible atmospheric deflagration from entering the system.

PRINCIPLE OF OPERATION

An 'Vent Combination' unit is designed to be mounting with a PVRV and prevent an unconfined deflagration in the surrounding atmosphere from entering the pipe or system and is not suitable for preventing a flame from within the pipe or system igniting the surrounding area.

ADVANTAGES

- Suitable for pipe sizes from 2" up to 12"
- Available for application in gas groups IIA, IIA1, IIB1, IIB2, IIB3
- Compliant with the European **ATEX** directive 2014/34/EU and United Kingdom's UKCA Directive UKSI 2016:1107
- Removable / Replaceable element for easier & cost-effective maintenance
- Tested in accordance with EN ISO 16852:2016
- Sintered mesh flame quenching element for improved deflagration stopping and air flow performance

APPLICATION CONSIDERATIONS

- Flare stacks
- Compressors
- Flammable liquid storage tank vents
- Waste treatment plants
- Gas pressure regulators
- Not applicable for endurance burning situations
- Maximum Operational Temperature (T_o) – 60 °C
- Process Connection drilled to any client specification.
- Vertical Mounted

PRODUCT SUPPORT

We aim to provide a rapid response to both technical and commercial enquiries. We are committed to offer competitive pricing and short production lead times and pride ourselves on delivery reliability.

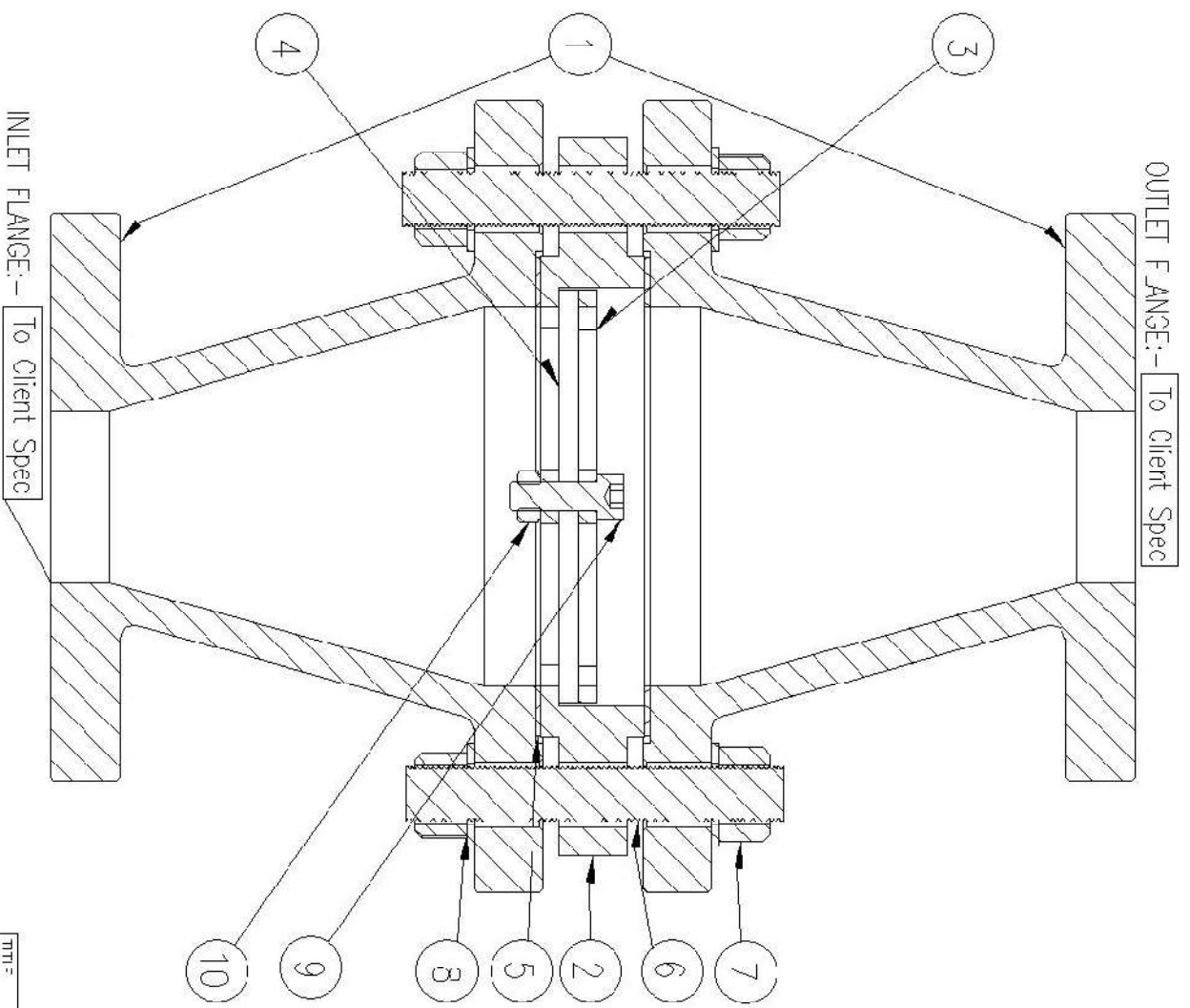
Reference	Quantity	Description	Stainless Steel Model	Carbon Steel Model	Aluminium Model		
1	2	Body	St. Steel	C. Steel	Aluminium		
2	1	Element Housing	St. Steel	St. Steel	St. Steel		
3	1	Element Retaining Ring	St. Steel	St. Steel	St. Steel		
4	1	Element Mesh	St. Steel	St. Steel	St. Steel		
5	2	Element Gasket	AFM	AFM	AFM		
6	4-20	Studded Bolt	St. Steel	St. Steel	St. Steel		
7	8-40	Full Nut	St. Steel	St. Steel	St. Steel		
8	8-40	Washers	St. Steel	St. Steel	St. Steel		
9	1	M8 Caphead	St. Steel	St. Steel	St. Steel		
10	1	M8 Full Nut	St. Steel	St. Steel	St. Steel		
Size (Inches) (mm)	2 (50)	3 (80)	4 (100)	6 (150)	8 (200)	10 (250)	12 (300)
Height	320mm	420mm	550mm	740mm	930mm	1100mm	1270mm
Width	230mm	285mm	345mm	485mm	600mm	700mm	815mm
Element Diameter	120mm	175mm	230mm	340mm	450mm	560mm	660mm
Element Thickness	6mm	6mm	6mm	6mm	6mm	6mm	6mm

Motherwell Tank Protection

St Michaels Road
Lea Green Ind Est
St Helens
Merseyside
England WA9 4WZ
Tel : + 44 1744 815211
Fax : +44 1744 814497
sales@mtpuk.com
www.motherwelltankprotection.com



FM 534821



PARTS LIST

ITEM	DESCRIPTION	MATERIAL
1	BODY	ST:STEEL
2	ELEMENT HOUSING	ST:STEEL
3	ELEMENT RETAINING RING	ST:STEEL
4	ELEMENT MESH	ST:STEEL
5	HOUSING GASKET	AHM
6	XXX STUDDED BAR	ST:STEFFI
7	XXX FULLNUT	ST:STEEL
8	XXX WASHER	ST:STEEL
9	M8 CAPHEAD SCREW	ST:STEEL
10	M8 FULLNUT	ST:STEEL

Flame Arrester Dimensions

N.B	Height	Width
2"	320mm	230mm
3"	420mm	285mm
4"	550mm	345mm
6"	740mm	485mm
8"	930mm	600mm
10"	1100mm	700mm
12"	1270mm	815mm

REV	DESCRIPTION	BY	DATE
001	First Issue	DD	06/21

TTT: Vent Combination Series Deflagration Flame Arrester

GENERAL ASSEMBLY - 2" SIZE

Drwg No: CNC540

SHEET 1 OF 1